

**Submittal Data: GWH09UC-D3DNA4C** 9,000 U-Crown BTU/H Wall Mounted Heat Pump

Job Name \_\_\_\_\_ Location \_\_\_\_\_ Date \_\_\_\_\_

Purchaser \_\_\_\_\_ Engineer \_\_\_\_\_

Submitted to: \_\_\_\_\_ For  Reference  Approval  Construction

Unit Designation \_\_\_\_\_ Schedule No. \_\_\_\_\_

**GENERAL FEATURES**  
 -Compact and Quiet Design  
 -High Efficiency DC Inverter Technology  
 -Wireless Remote with LCD Display  
 -Comfortable Sleep Mode  
 -Intelligent Defrost  
 -Able to Cool at Low Temperature of -18°C (0 ℉)  
 -Able to Heat at Low Temperature of -30 °C (-22 ℉)  
 -All models are with electric heater band



**System Ratings**

<b>Cooling</b>		
Rated Capacity		9,000 BTU/H
Capacity Range		1,535-12,965 BTU/H
Power Input (Max)		1,400 W
SEER		30
EER		15.79

<b>Heating at 47° F</b>		
Rated Capacity		9,000 BTU/H
Capacity Range		2,390-13,650 BTU/H
Power Input (Max)		1,500 W
HSPF		10
COP		14.29

<b>Operating Range</b>		
Cooling	(Max)	(46 C)
	(Min)	(-18 C)
Heating	(Max)	(24 C)
	(Min)	(-30 C)

<b>Power Supply</b>		
Normal Operational Voltage		230 V, 1 Phase, 60 Hz
Voltage Range		187-253 V
Main Power Wire Size		14/2 AWG
Interconnecting Cable Wire Size		14-4 AWG
MCA		15 A
MOCP/Breaker Size		25 A

**Indoor Unit Data**

<b>Fan Motor</b>	Output Power	20 W
	FLA	0.215 A

<b>Airflow</b>		
Cooling Wet (Lo/Hi)		265/470 CFM
Heating Dry (Lo/Hi)		265/470 CFM

<b>Sound Pressure Level</b>		
Cooling (Lo/Hi)		26-41 dB (A)
Heating (Lo/Hi)		26-41 dB (A)

<b>Dimensions &amp; Weights</b>		
Unit Dimensions (LxHxD)		37-4/5×12-3/5×8-in
Weight (Net/Shipping)		33.1/39.7 LBS

**Outdoor Unit Data**

<b>Compressor</b>	DC Inverter Driven Rotary	
<b>Refrigerant Type</b>	R410A	
<b>Fan Motor</b>	Output Power	30 W
	FLA	0.36 A

<b>Sound Pressure</b>		
Cooling		53 db(A)
Heating		53 db(A)

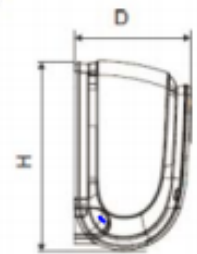
<b>Dimensions &amp; Weights</b>		
Unit Dimensions (LxHxD)		35-2/5×23-1/2×14-7/8-in
Weight (Net/Shipping)		99.2/105.8 LBS

<b>Refrigerant Piping Data</b>		
Gas Pipe Size (OD)		1/2-in
Liquid Pipe Size (OD)		1/4-in
Connection Method		Flared
MAX Refrigerant Pipe Length		49,2-ft
MIN Refrigerant Pipe Length		10-ft
MAX Refrigerant Pipe Height Difference		32,8-ft

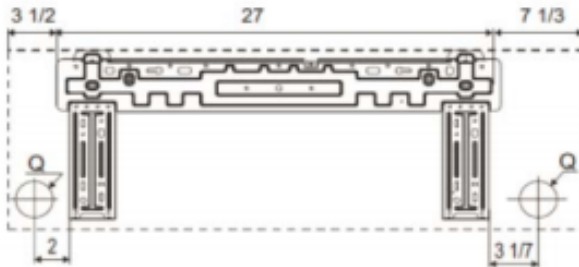


# INDOOR UNIT DIMENSIONS

Units: inch



Dimensions	
W	37.8
H	12.6
D	8.0

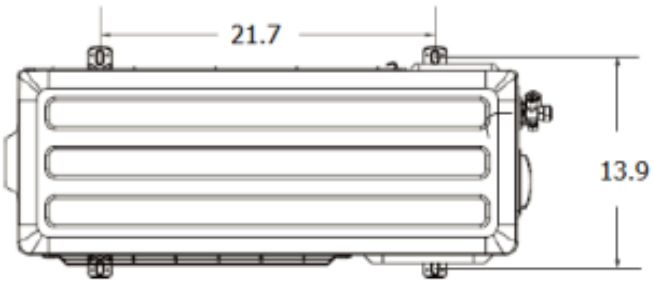
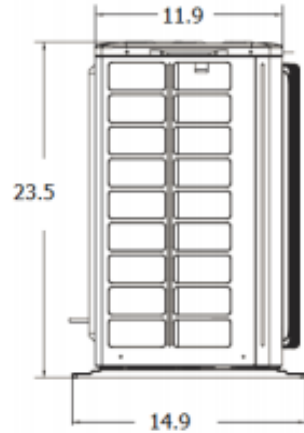
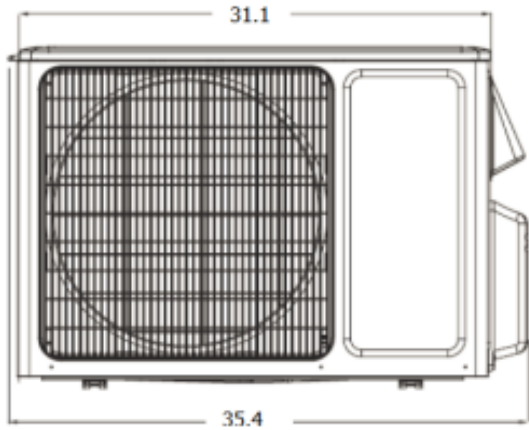


Weight (Net/Shipping) 31/37 LBS

Liquid Line Valve	1/4-in OD Flared
Gas Line Valve	1/2-in OD Flared
Drain Connector	5/8-in OD

# OUTDOOR UNIT DIMENSIONS

Units: inch



Liquid Line Valve	1/4-in OD Flared
Gas Line Valve	1/2-in OD Flared

Weight (Net/Shipping) 99/106 LBS