

Submittal Data: GAA09AE-D3RNB5B 9,000 BTU/H PTAC Air Conditioner with Electric Heater

Job Name: _____ Location: _____ Date: _____

Purchaser: _____ Engineer: _____

Submitted to: _____ For: Reference Approval Construction

Unit Designation: _____ Schedule No.: _____

GENERAL FEATURES:
 - Cooling With Electric Heater
 - 3.45 kW Electric Heat
 - R-410a Refrigerant
 - Quiet Design
 - Fresh Air Supply Ventilation
 - Auto Restart



System Ratings

Ratings	
Rated Cooling Capacity	7,600 / 7,700 BTU/H
Power Input (Cooling)	760 / 775 W
Power Current (Cooling)	3.7 / 3.9 A
EER	12.1
Rated Heating Capacity	8,100 / 8,300 BTU/H
Power Input (Heating)	675 / 695 W
Electric Heating Power Input	2820/3450 W
COP	3.5

Compressor	
Type	Rotary
RLA	3.5 A
LRA	19.5 A

Unit Dimensions/Weight	
Dimensions	42 x 16 x 21-1/2-in 1066.8 x 406.4 x 546.1-mm
Net Weight	54 lbs 24.5 kg

Power Supply	
Normal Operational Voltage	208-230 V, 1 Phase, 60 Hz

Indoor Side Data

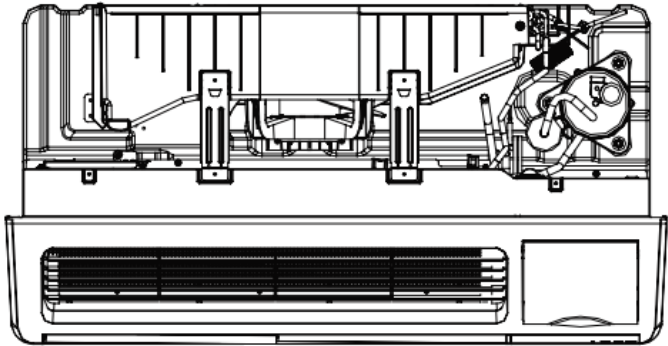
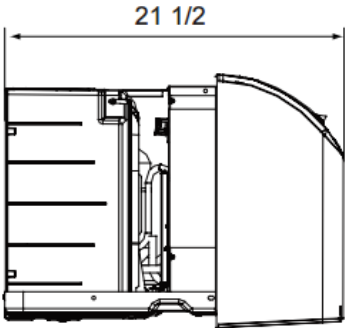
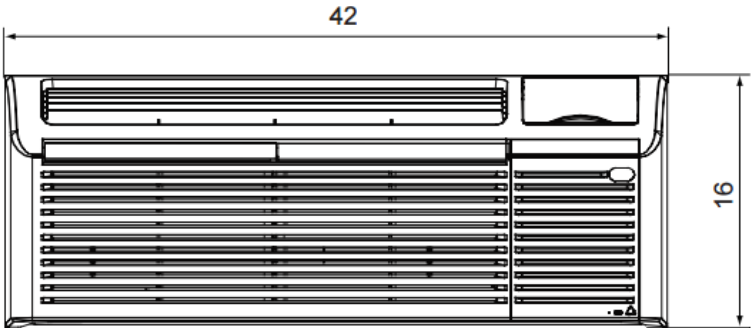
Fan Motor	
Output Power	21 W
RLA	0.20 A
Speed	
Cooling Speed	940/1060 r/min
Heating Speed	940/1060 r/min
Sound Level	
Sound Pressure Level	50 - 52 dB (A)
Sound Power Level	60 - 62 dB (A)

Outdoor Side Data

Fan Motor	
Output Power	20 W
RLA	0.21 A
Airflow	
Air Flow Volume	470.8 CFM
Sound Level	
Sound Pressure Level	59/61/63 dB (A)
Sound Power Level	69/71/73 dB (A)
Moisture Protection	
IP24	

Refrigerant Piping Data	
Evaporator Pipe Diameter	8/29-in
Condenser Pipe Diameter	8/29-in

Outline Dimension Diagram



Unit:inch

Weight (net/gross): 54/63 lbs