

Submittal Data: GAE09AB-D3RNB2A 9,000 BTU/H PTAC 2nd Gen. Air Conditioner with 3 kW Electric Heater

Job Name: _____ Location: _____ Date: _____

Purchaser: _____ Engineer: _____

Submitted to: _____ For: Reference Approval Construction

Unit Designation: _____ Schedule No.: _____

GENERAL FEATURES:
 - Cooling With Electric Heater
 - 3 kW Electric Heat
 - R-410a Refrigerant
 - Quiet Design
 - Fresh Air Supply Ventilation
 - Auto Restart



System Ratings

Ratings	
Rated Cooling Capacity	8,800 / 9,000 BTU/H
Power Input (Cooling)	770 / 800 W
Power Current (Cooling)	3.7 / 3.9 A
EER	11.3
Electric Heating Power Input	2452/3000 W

Power Supply	
Normal Operational Voltage	208-230 V, 1 Phase, 60 Hz
Rated Input	893 W
Rated Current	4.78 A
Fuse Current	3.15 A

Other Information	
Application Area	12 – 18 m ²
Max Allowable Pressure	3.8 MPa
Dehumidifying Volume	1L/h

--	--

Indoor Side Data

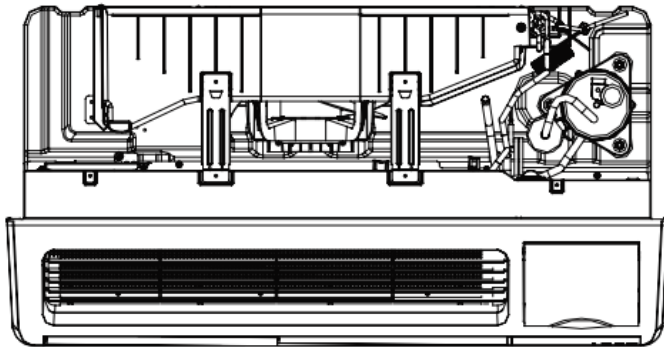
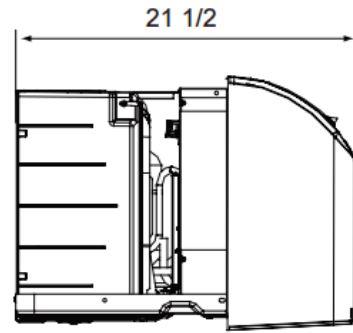
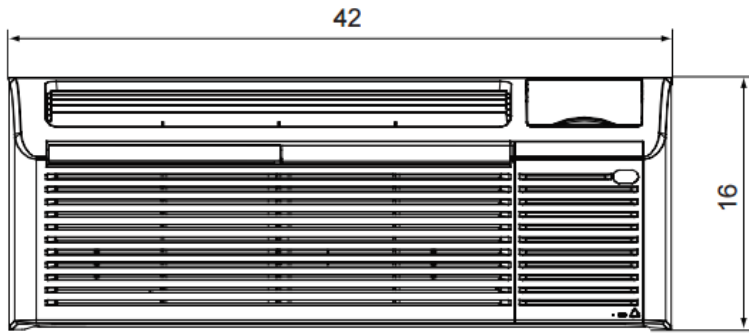
Fan Motor	
Fan Type	Cross-Flow
Output Power	21 W
RLA	0.36 A
Speed	
Cooling Speed	890/1030 r/min
Heating Speed	890/1030 r/min
Sound Level	
Sound Pressure Level	49 - 51 dB (A)
Sound Power Level	59 - 61 dB (A)

Outdoor Side Data

Fan Motor	
Fan Type	Axial-Flow
Compressor	
Compressor Type	Rotary
RLA	3,7 A
Power Input	740 W
Airflow	
Air Flow Volume	471 CFM
Sound Level	
Sound Pressure Level	57 - 61 dB (A)
Sound Power Level	67 - 71 dB (A)

Unit Dimensions/Weight	
Dimensions	42 x 16 x 21-1/2-in 1066.8 x 406.4 x 546.1-mm
Weight (Net/Gross)	47/58 kg 103.6/127.9 lbs.

Outline Dimension Diagram

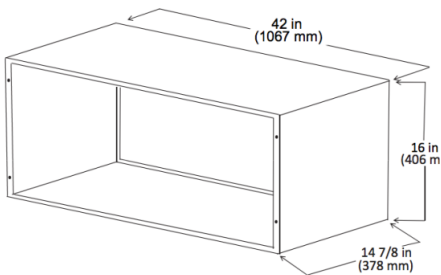


Unit : Inch

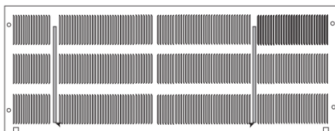
Weight (net/gross): 103.6/127.9 lbs.

Accessories:

Knock Down PTAC Sleeve (TL12500210)



Standard Aluminum Grille (TL12500180)



Wired Thermostat (TL12500420)

