

**Submittal Data: GAA12AE-D3RNB2G** 12,000 BTU/H PTAC Air Conditioner with Electric Heater

Job Name: \_\_\_\_\_ Location: \_\_\_\_\_ Date: \_\_\_\_\_

Purchaser: \_\_\_\_\_ Engineer: \_\_\_\_\_

Submitted to: \_\_\_\_\_ For: Reference Approval Construction

Unit Designation: \_\_\_\_\_ Schedule No.: \_\_\_\_\_

**GENERAL FEATURES:**  
 - Heat Pump With Electric Heater  
 - 2.45/3.45 kW Electric Heat  
 - R-410a Refrigerant  
 - Quiet Design  
 - Fresh Air Supply Ventilation  
 - Auto Restart



**System Ratings**

<b>Ratings</b>	
Rated Cooling Capacity	11,600 / 11,800 BTU/H
Power Input (Cooling)	895 / 910 W
Power Current (Cooling)	4.9 / 5.1 A
EER	11.6
Rated Heating Capacity	10,400 / 10,600 BTU/H
Power Input (Heating)	895 / 910 W
Electric Heating Power Input	2450/3450 W
COP	3.4

<b>Compressor</b>	
Type	Rotary
RLA	4.7 A
LRA	21.5 A

<b>Unit Dimensions/Weight</b>	
Dimensions	42 x 16 x 21-1/2-in 1066.8 x 406.4 x 546.1-mm
Net Weight	55 lbs 24.9 kg

<b>Power Supply</b>	
Normal Operational Voltage	208-230 V, 1 Phase, 60 Hz

**Indoor Side Data**

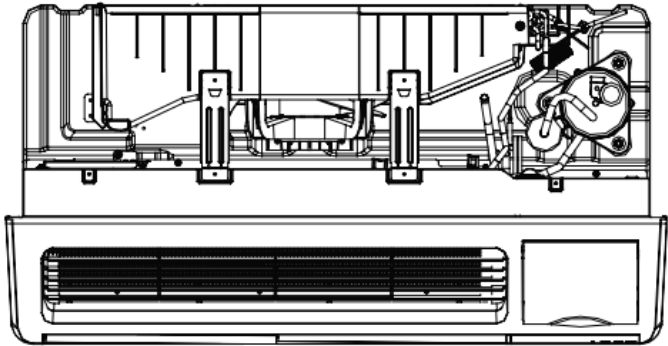
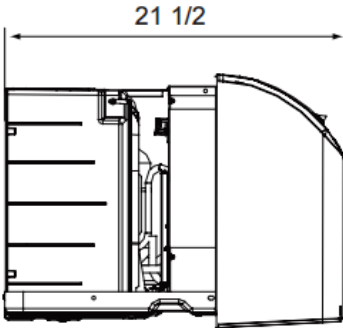
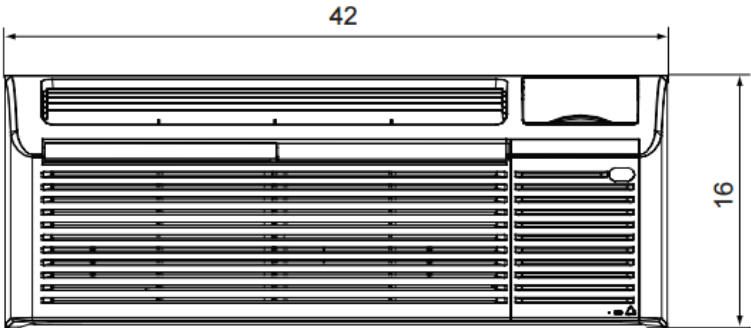
<b>Fan Motor</b>	
Output Power	65 W
RLA	0.52 A
<b>Speed</b>	
Cooling Speed	970/1130 r/min
Heating Speed	970/1130 r/min
<b>Sound Level</b>	
Sound Pressure Level	50 - 52 dB (A)
Sound Power Level	60 - 62 dB (A)

**Outdoor Side Data**

<b>Fan Motor</b>	
Output Power	20 W
RLA	0.21 A
<b>Airflow</b>	
Air Flow Volume	470.8 CFM
<b>Sound Level</b>	
Sound Pressure Level	50/53 dB (A)
Sound Power Level	60/63 dB (A)
<b>Moisture Protection</b>	
IP24	

<b>Refrigerant Piping Data</b>	
Evaporator Pipe Diameter	8/29-in
Condenser Pipe Diameter	8/29-in

# Outline Dimension Diagram



Unit:inch

Weight (net/gross): 55/64 lbs