



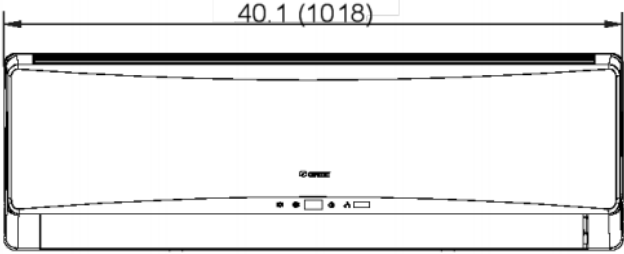
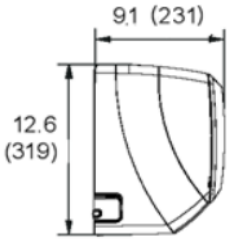
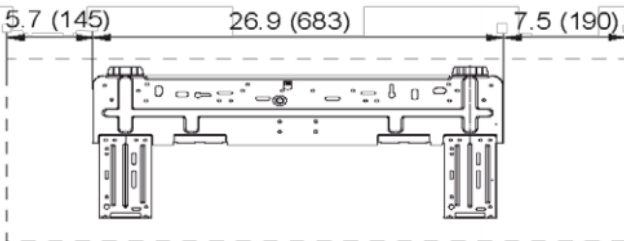


Submittal Data: GWH18TC-D3DNA1D/I		18,000 BTU/H Hansol Indoor Unit Heat Pump	
Job Name	Location	Date	
Purchaser	Engineer		
Submitted to:	For <input type="checkbox"/> Reference <input type="checkbox"/> Approval <input type="checkbox"/> Construction		
Unit Designation	Schedule No.		
<b>GENERAL FEATURES</b> - Free Match Compatible - 7-Speed Fan - Quiet Design			
Specifications		Indoor Unit Data	
<b>Fan Specifications</b> Fan Type <span style="float: right;">Cross-flow</span> Fan Motor Cooling Speed (Min-Max) <span style="float: right;">800-1,400 r/min</span> Fan Motor Heating Speed (Min-Max) <span style="float: right;">850-1,450 r/min</span> Output of Fan Motor <span style="float: right;">25 W</span> Fan Motor RLA <span style="float: right;">0.1 A</span>		<b>Sound</b> Sound Pressure Level (Min-Max) <span style="float: right;">33-51 dB (A)</span> Sound Power Level (Min-Max) <span style="float: right;">43-61 dB (A)</span>  <b>Dimensions &amp; Weights</b> Unit Dimensions (LxHxD) <span style="float: right;">40.08 x 12.56 x 9.06 in 1,018 x 319 x 230 mm</span>  Weight (Net/Shipping) <span style="float: right;">30.9/38.6 LBS 14/17.5 kg</span>	
  			

INDOOR UNIT DIMENSIONS		Units: inch (mm)						
								
		<table border="1" style="width: 100%;"> <tr> <td>Liquid Line Valve</td> <td>1/4-in OD Flared</td> </tr> <tr> <td>Gas Line Valve</td> <td>5/8-in OD Flared</td> </tr> <tr> <td>Drain Connector</td> <td>5/8-in OD</td> </tr> </table>	Liquid Line Valve	1/4-in OD Flared	Gas Line Valve	5/8-in OD Flared	Drain Connector	5/8-in OD
Liquid Line Valve	1/4-in OD Flared							
Gas Line Valve	5/8-in OD Flared							
Drain Connector	5/8-in OD							