

**Submittal Data: GWH24MD-D3DNXXK** 24,000 BTU/H Wall Mounted HEAT PUMP

Job Name	Location	Date
Purchaser	Engineer	
Submitted To	For <input type="checkbox"/> Reference <input type="checkbox"/> Approval <input type="checkbox"/> Construction	
Unit Designation	Schedule No.	

**GENERAL FEATURES**

- Compact and Quiet Design
- High Efficiency DC Inverter Technology
- Wireless Remote with LCD Display
- Intelligent Defrost
- Gold Fin Condenser Coil



**System Ratings**

<b>Cooling</b>	
Rated Capacity	22000 BTU/H
Capacity Range	8630-23200 BTU/H
Power Input (Max)	2700 W
SEER	15
EER	9.52

<b>Heating at 47° F</b>	
Rated Capacity	23000 BTU/H
Capacity Range	8650-26000 BTU/H
Power Input (Max)	2,750 W
HSPF	10.0
COP	3.2

--

<b>Operating Range</b>		
Cooling	(Max)	(43 C)
	(Min)	(10 C)
Heating	(Max)	(24C)
	(Min)	(-7C)

<b>Power Supply</b>	
Normal Operational Voltage	208/230 V, 1 Phase, 60 Hz
Voltage Range	187 - 253 V
Main Power Wire Size	10-2 AWG
Interconnecting Cable Wire Size	14-4 AWG
MCA	16.0 A
MOCP/Breaker Size	25 A

**Indoor Unit Data**

<b>Fan Motor</b>	Output Power	60 W
	FLA	0.2 A
<b>Airflow</b>		
	Cooling Wet (Lo/Hi)	1000-600CFM
	Heating Dry (Lo/Hi)	1000-600CFM
<b>Sound Pressure Level</b>		
	Cooling (Lo/Hi)	52-36 db(A)
	Heating (Lo/Hi)	52-36 db(A)
<b>Dimensions &amp; Weights</b>		
	Unit Dimensions (LxHxD)	39.7 x 12.4 x 8.6 -in
	Weight (Net/Shipping)	33.1 LBS

**Outdoor Unit Data**

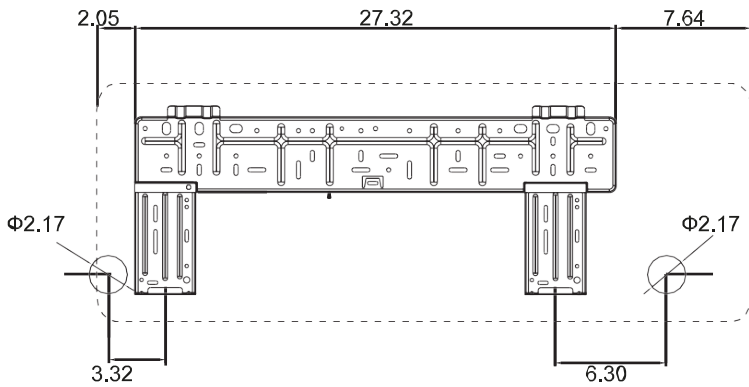
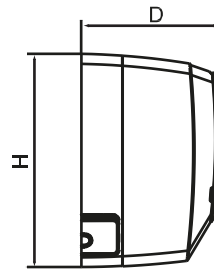
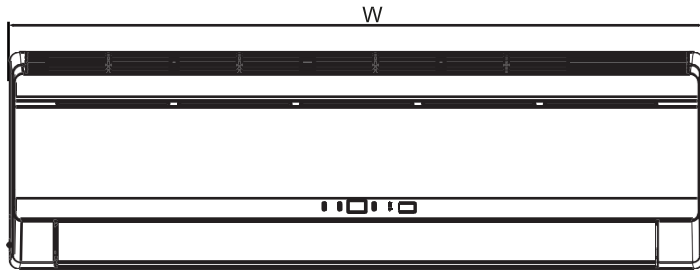
<b>Compressor</b>	DC Inverter Driven Rotary	
<b>Refrigerant Type</b>	R410A	
<b>Fan Motor</b>	Output Power	60 W
	FLA	1.1 A
<b>Sound Pressure</b>		
	Cooling	59 db(A)
	Heating	59 db(A)
<b>Dimensions &amp; Weights</b>		
	Unit Dimensions (LxHxD)	37 5/8 X 27 5/8 X 15 5/8 -in
	Weight (Net/Shipping)	114.7 LBS

<b>Refrigerant Piping Data</b>	
Gas Pipe Size (OD)	5/8-in
Liquid Pipe Size (OD)	1/4-in
Connection Method	Flared
MAX Refrigerant Pipe Length	82-ft
MIN Refrigerant Pipe Length	10-ft
MAX Refrigerant Pipe Height Difference	33-ft

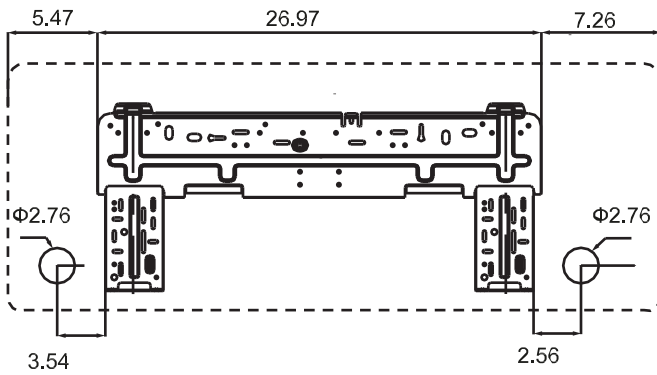


### 3. Outline Dimension Diagram

#### 3.1 Indoor Unit



18K Unit



24K Unit

Liquid Line Valve	1/4-in OD Flared
Gas Line Valve	5/8-in OD Flared
Drain Connector	5/8-in OD

Unit:Inch

Model	W	H	D
18K	37.1	11.7	7.9
24K	39.7	12.4	8.6

### 3.2 Outdoor Unit

