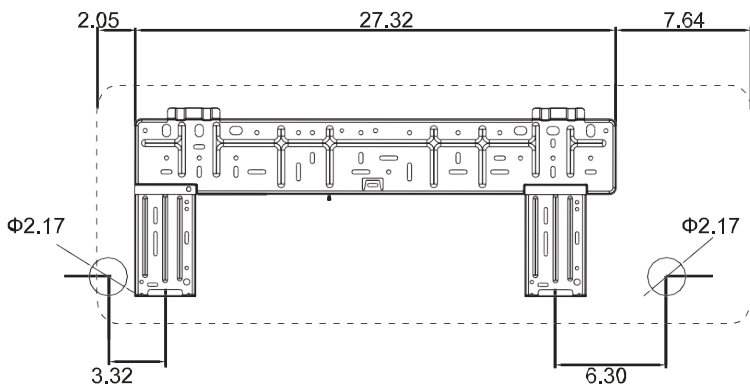
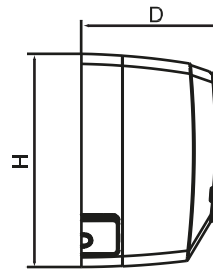
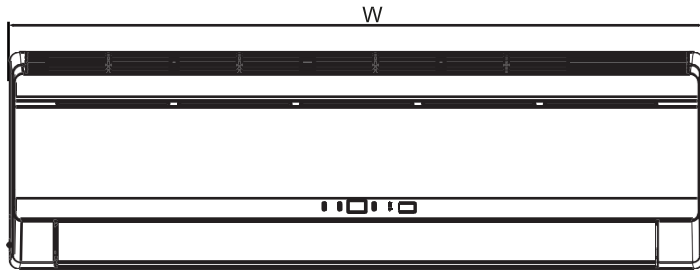


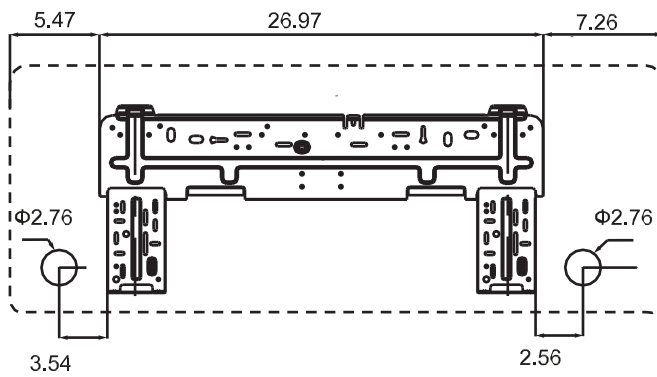
Submittal Data: GWH18MC-D3DNXXK		18,000 BTU/H Wall Mounted Heat- Pump System	
Job Name		Location	
Purchaser		Date	
Submitted To		Engineer	
Unit Designation		Schedule No.	
GENERAL FEATURES -Compact and Quiet Design -High Efficiency DC Inverter Technology -Wireless Remote with LCD Display -Intelligent Defrost -Gold Fin Condenser Coil			
System Ratings		Indoor Unit Data	
Cooling Rated Capacity 18,000 BTU/H Capacity Range 2201-20001 BTU/H Power Input (Max) 2600 W SEER 15 EER 8.5		Fan Motor Output Power 20 W FLA 0.3 A Airflow Cooling Wet (Lo/Hi) 860-550 CFM Heating Dry (Lo/Hi) 860-550 CFM	
Heating at 47° F Rated Capacity 19,000 BTU/H Capacity Range 3050-23500 BTU/H Power Input (Max) 2,600 W HSPF 9 COP 10.23		Sound Pressure Level Cooling (Lo/Hi) 48-36 db(A) Heating (Lo/Hi) 48-36 db(A)	
Operating Range Cooling (Max) (43 C) (Min) (10 C) Heating (Max) (24 C) (Min) (-7 C)		Dimensions & Weights Unit Dimensions (LxHxD) 37.1 X 11 3/4 X 7 7/8 -in Weight (Net/Shipping) 26.5 LBS	
Power Supply Normal Operational Voltage 208/230 V, 1 Phase, 60 Hz Voltage Range 187 - 253 V Main Power Wire Size 12-2 AWG Interconnecting Cable Wire Size 14-4 AWG MCA 13.0 A MOCP/Breaker Size 20 A		Outdoor Unit Data Compressor DC Inverter Driven Rotary Refrigerant Type R410A Fan Motor Output Power 60 W FLA 0.3 A Sound Pressure Cooling 56 db(A) Heating 56 db(A)	
		Dimensions & Weights Unit Dimensions (LxHxD) 37.6 x 27.6 x 15.6 -in Weight (Net/Shipping) 101.4 LBS	
		Refrigerant Piping Data Gas Pipe Size (OD) 1/2-in Liquid Pipe Size (OD) 1/4-in Connection Method Flared MAX Refrigerant Pipe Length 82-ft MIN Refrigerant Pipe Length 10-ft MAX Refrigerant Pipe Height Difference 33-ft	

3. Outline Dimension Diagram

3.1 Indoor Unit



18K Unit



24K Unit

Liquid Line Valve	1/4-in OD Flared
Gas Line Valve	1/2-in OD Flared
Drain Connector	5/8-in OD

Unit:Inch

Model	W	H	D
18K	37.1	11.7	7.9
24K	39.7	12.4	8.6

3.2 Outdoor Unit

