



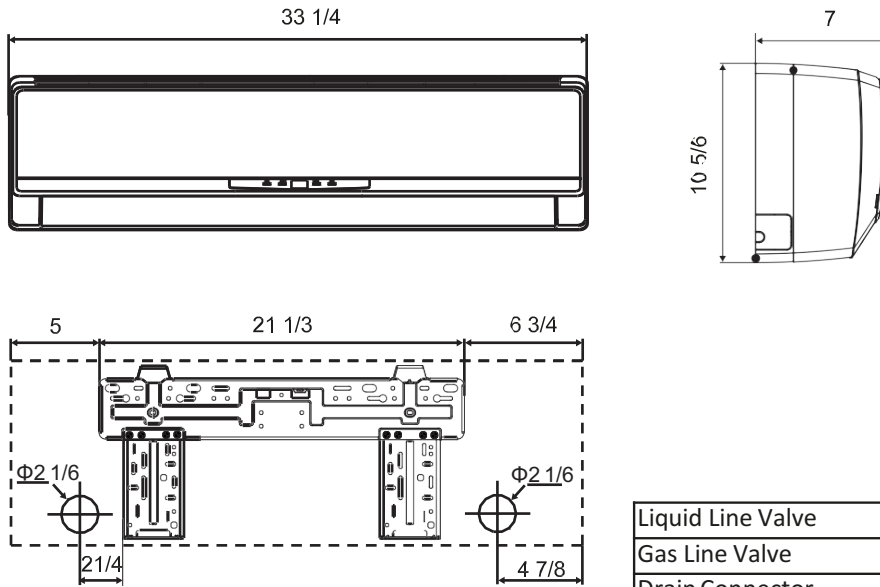


Submittal Data: GWH12MB-D3DNXXK		12,000 BTU/H Wall Mounted HEATPUMP
Job Name	Location	Date
Purchaser	Engineer	
Submitted To	For <input type="checkbox"/> Reference <input type="checkbox"/> Approval <input type="checkbox"/> Construction	
Unit Designation	Schedule No.	
GENERAL FEATURES -Compact and Quiet Design -High Efficiency DC Inverter Technology -Wireless Remote with LCD Display -Comfortable Sleep Mode -Intelligent Defrost		
System Ratings		Indoor Unit Data
Cooling Rated Capacity 12000 BTU/H Capacity Range 5300-12500 BTU/H Power Input (Max) 1,800 W SEER 15 EER 9.23		Fan Motor Output Power 20 W FLA 0.4 A Airflow Cooling Wet (Lo/Hi) 335-218 CFM Heating Dry (Lo/Hi) 335-218 CFM Sound Pressure Level Cooling (Lo/Hi) 44-36 db(A) Heating (Lo/Hi) 44-36 db(A) Dimensions & Weights Unit Dimensions (LxHxD) 33 1/4 x 10 5/16 x 7-in Weight (Net/Shipping) 20.9 LBS
		Outdoor Unit Data
		Compressor DC Inverter Driven Rotary Refrigerant Type R410A Fan Motor Output Power 21 W FLA 0.2 A Sound Pressure Cooling 53 db(A) Heating 53 db(A) Dimensions & Weights Unit Dimensions (LxHxD) 30 3/8 x 13 5/8 x 23 3/8-in Weight (Net/Shipping) 66.2 LBS
Operating Range Cooling (Max) (46 C) (Min) (10 C) Heating (Max) 24 C (Min) -8 C		Refrigerant Piping Data Gas Pipe Size (OD) 3/8-in Liquid Pipe Size (OD) 1/4-in Connection Method Flared MAX Refrigerant Pipe Length 50-ft MIN Refrigerant Pipe Length 10-ft MAX Refrigerant Pipe Height Difference 33-ft
Power Supply Normal Operational Voltage 220 V, 1 Phase, 60 Hz Voltage Range 103-127 V Main Power Wire Size 14/2 AWG Interconnecting Cable Wire Size 14-4 AWG MCA 15 A MOCP/Breaker Size 20 A		
   		



3. Outline Dimension Diagram

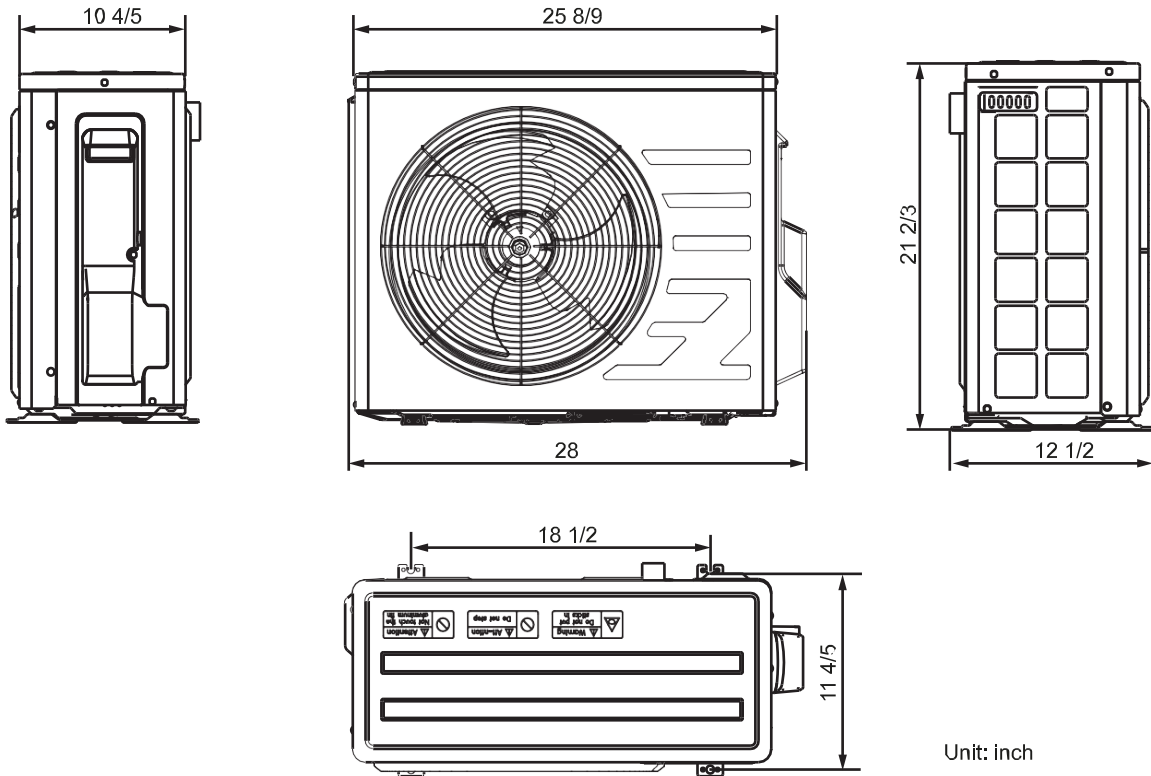
3.1 Indoor Unit



Liquid Line Valve	1/4-in OD Flared
Gas Line Valve	3/8-in OD Flared
Drain Connector	5/8-in OD

Unit: inch

3.2 Outdoor Unit



Unit: inch