




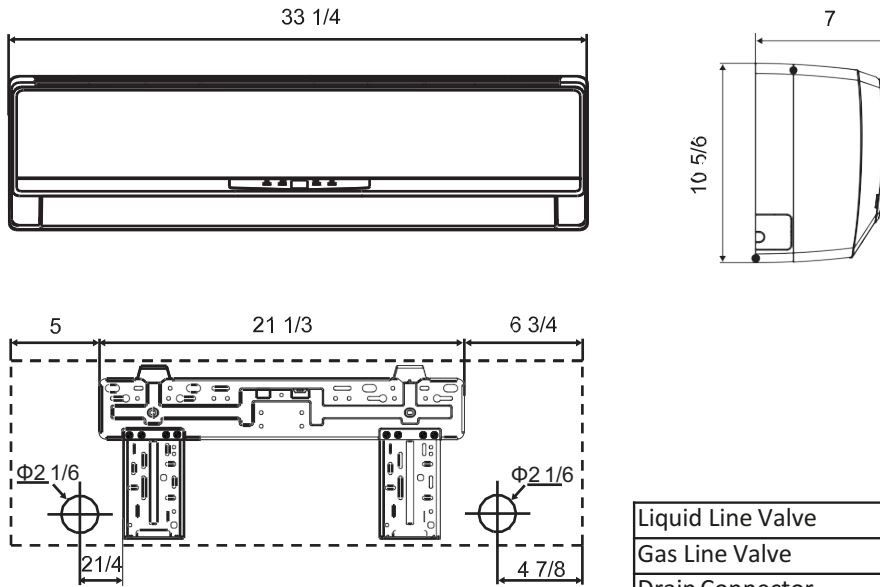


Submittal Data: GWH09MB-D3DNXXK		9,000 BTU/H Wall Mounted HEAT PUMP
Job Name	Location	Date
Purchaser	Engineer	
Submitted To	For <input type="checkbox"/> Reference <input type="checkbox"/> Approval <input type="checkbox"/> Construction	
Unit Designation	Schedule No.	
GENERAL FEATURES -Compact and Quiet Design -High Efficiency DC Inverter Technology -Wireless Remote with LCD Display -Comfortable Sleep Mode -Intelligent Defrost		
System Ratings	Indoor Unit Data	
Cooling Rated Capacity 9,000 BTU/H Capacity Range 5000-11300 BTU/H Power Input (Max) 1,300 W SEER 15 EER 9.47	Fan Motor Output Power 20 W FLA 0.4 A Airflow Cooling Wet (Lo/Hi) 306-218 CFM Heating Dry (Lo/Hi) 306-218 CFM Sound Pressure Level Cooling (Lo/Hi) 43-34 db(A) Heating (Lo/Hi) 43-34 db(A) Dimensions & Weights Unit Dimensions (LxHxD) 33 1/4 x 10 5/16 x 7-in Weight (Net/Shipping) 19.8 LBS	
	Outdoor Unit Data	
	Compressor DC Inverter Driven Rotary Refrigerant Type R410A Fan Motor Output Power 21 W FLA 0.2 A Sound Pressure Cooling 52 db(A) Heating 52 db(A) Dimensions & Weights Unit Dimensions (LxHxD) 30 3/8 x 13 5/8 x 23 3/8-in Weight (Net/Shipping) 61.7 LBS	
Operating Range Cooling (Max) (46 C) (Min) (10 C) Heating (Max) - 8 C (Min) 24 C	Refrigerant Piping Data Gas Pipe Size (OD) 3/8-in Liquid Pipe Size (OD) 1/4-in Connection Method Flared MAX Refrigerant Pipe Length 50-ft MIN Refrigerant Pipe Length 10-ft MAX Refrigerant Pipe Height Difference 33-ft	
Power Supply Normal Operational Voltage 220 V, 1 Phase, 60 Hz Voltage Range 103-127 V Main Power Wire Size 14/2 AWG Interconnecting Cable Wire Size 14-4 AWG MCA 15 A MOCP/Breaker Size 20 A		
   		

3. Outline Dimension Diagram

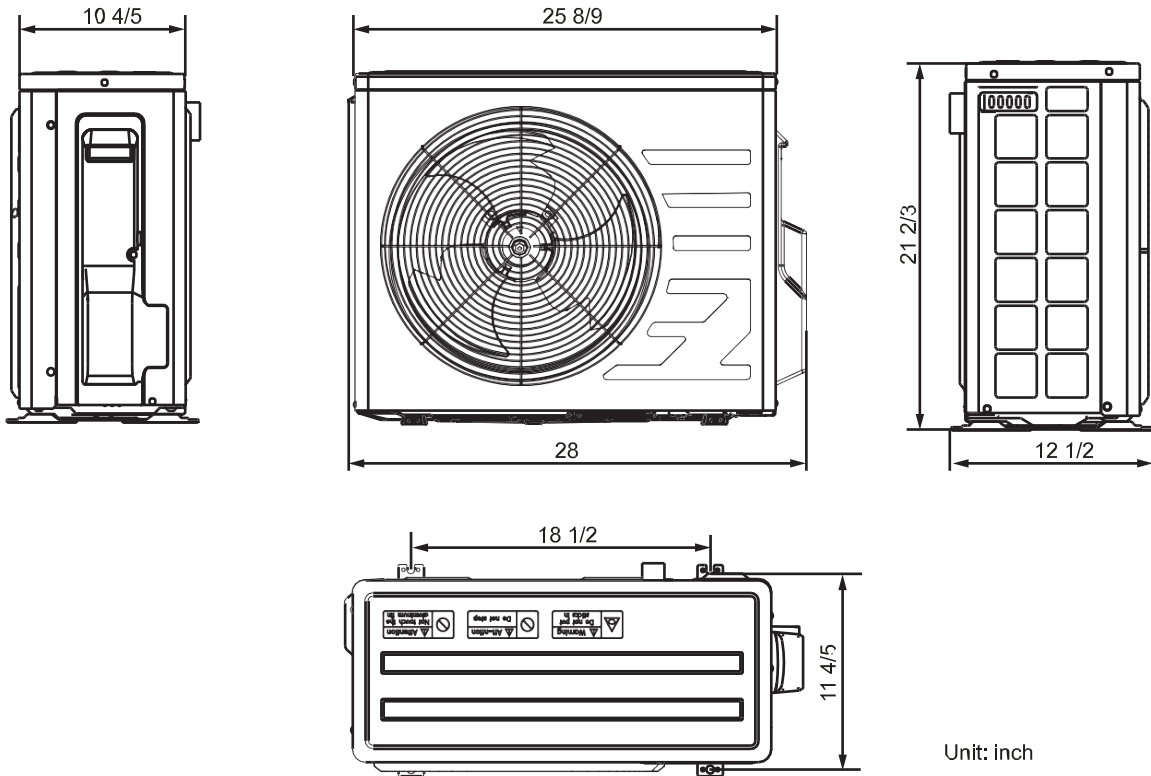
3.1 Indoor Unit



Liquid Line Valve	1/4-in OD Flared
Gas Line Valve	3/8-in OD Flared
Drain Connector	5/8-in OD

Unit: inch

3.2 Outdoor Unit



Unit: inch