

Submittal Data: GWC24MD-D3DNXXK 24,000 BTU/H Wall Mounted AIR CONDITIONNER

Job Name _____ Location _____ Date _____

Purchaser _____ Engineer _____

Submitted To _____ For Reference Approval Construction

Unit Designation _____ Schedule No. _____

GENERAL FEATURES

- Compact and Quiet Design
- High Efficiency DC Inverter Technology
- Wireless Remote with LCD Display
- Intelligent Defrost
- Gold Fin Condenser Coil



System Ratings

Cooling	
Rated Capacity	22000 BTU/H
Capacity Range	9,600-25,000 BTU/H
Power Input (Max)	2700 W
SEER	15
EER	9.52

Indoor Unit Data

Fan Motor	Output Power	60 W
	FLA	0.2 A
Airflow		
	Cooling Wet (Lo/Hi)	1000-600CFM
	Heating Dry (Lo/Hi)	
Sound Pressure Level		
	Cooling (Lo/Hi)	52-36 db(A)
	Heating (Lo/Hi)	
Dimensions & Weights		
	Unit Dimensions (LxHxD)	39.7 x 12.4 x 8.6 -in
	Weight (Net/Shipping)	33.1 LBS

Outdoor Unit Data

Compressor	DC Inverter Driven Rotary	
Refrigerant Type	R410A	
Fan Motor	Output Power	60 W
	FLA	1.1 A
Sound Pressure		
	Cooling	59 db(A)
	Heating	
Dimensions & Weights		
	Unit Dimensions (LxHxD)	37 5/8 X 27 5/8 X 15 5/8 -in
	Weight (Net/Shipping)	114.7 LBS

Operating Range		
Cooling	(Max)	(43 C)
	(Min)	(10 C)
Heating	(Max)	
	(Min)	

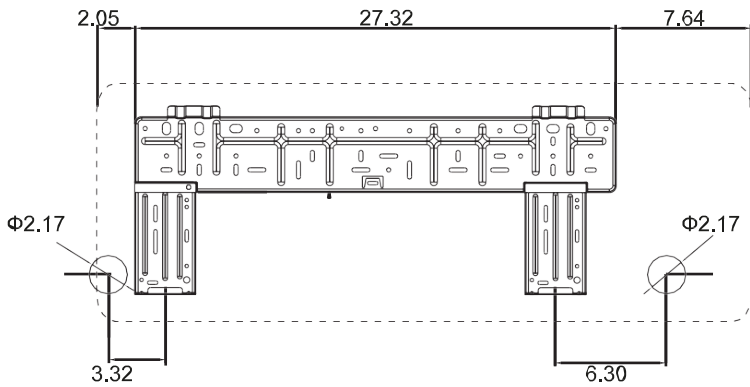
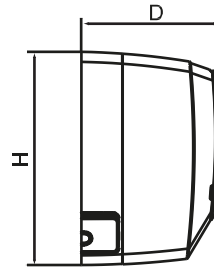
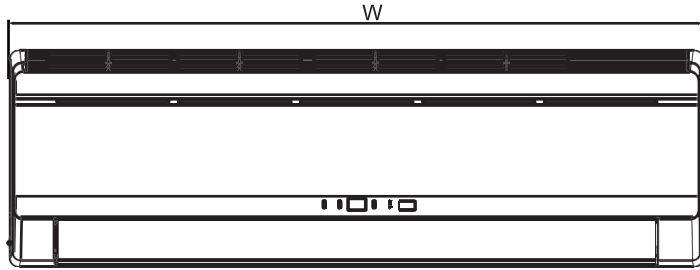
Power Supply	
Normal Operational Voltage	208/230 V, 1 Phase, 60 Hz
Voltage Range	187 - 253 V
Main Power Wire Size	10-2 AWG
Interconnecting Cable Wire Size	14-4 AWG
MCA	16.0 A
MOCP/Breaker Size	25 A

Refrigerant Piping Data	
Gas Pipe Size (OD)	5/8-in
Liquid Pipe Size (OD)	1/4-in
Connection Method	Flared
MAX Refrigerant Pipe Length	82-ft
MIN Refrigerant Pipe Length	10-ft
MAX Refrigerant Pipe Height Difference	33-ft

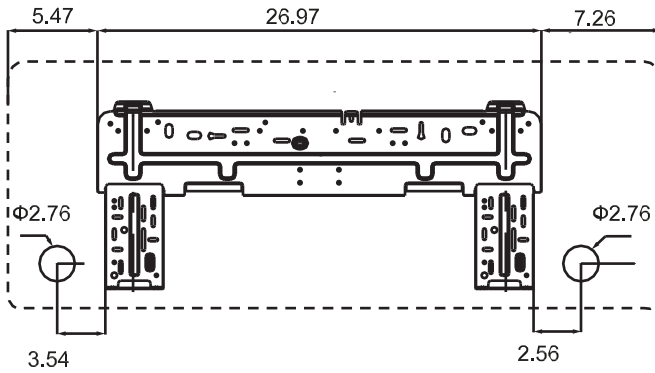


3. Outline Dimension Diagram

3.1 Indoor Unit



18K Unit



24K Unit

Liquid Line Valve	1/4-in OD Flared
Gas Line Valve	5/8-in OD Flared
Drain Connector	5/8-in OD

Unit:Inch

Model	W	H	D
18K	37.1	11.7	7.9
24K	39.7	12.4	8.6

3.2 Outdoor Unit

