

Submittal Data:GWC18MC-D3DNXXK 18,000 BTU/H Wall Mounted AIR CONDITIONNER

Job Name	Location	Date
Purchaser	Engineer	
Submitted To	For <input type="checkbox"/> Reference <input type="checkbox"/> Approval <input type="checkbox"/> Construction	
Unit Designation	Schedule No.	

GENERAL FEATURES

- Compact and Quiet Design
- High Efficiency DC Inverter Technology
- Wireless Remote with LCD Display
- Intelligent Defrost
- Gold Fin Condenser Coil



System Ratings

Cooling	
Rated Capacity	18,000 BTU/H
Capacity Range	2201-20001 BTU/H
Power Input (Max)	2600 W
SEER	15
EER	8.5

Indoor Unit Data

Fan Motor	Output Power	20 W
	FLA	0.3 A
Aiflow		
	Cooling Wet (Lo/Hi)	860-550 CFM
	Heating Dry (Lo/Hi)	
Sound Pressure Level		
	Cooling (Lo/Hi)	48-36 db(A)
	Heating (Lo/Hi)	
Dimensions & Weights		
	Unit Dimensions (LxHxD)	37.1 X 11 3/4 X 7 7/8 -in
	Weight (Net/Shipping)	26.5 LBS

--	--

Outdoor Unit Data

Compressor	DC Inverter Driven Rotary	
Refrigerant Type	R410A	
Fan Motor	Output Power	60 W
	FLA	0.3 A
Sound Pressure		
	Cooling	56 db(A)
	Heating	
Dimensions & Weights		
	Unit Dimensions (LxHxD)	37.6 x 27.6 x 15.6 -in
	Weight (Net/Shipping)	101.4 LBS

--	--

Operating Range		
Cooling	(Max)	(43 C)
	(Min)	(10 C)
Heating	(Max)	
	(Min)	

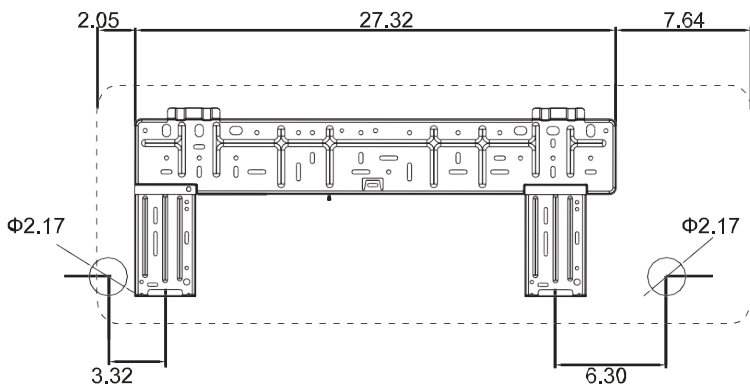
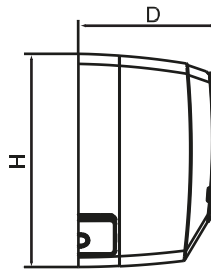
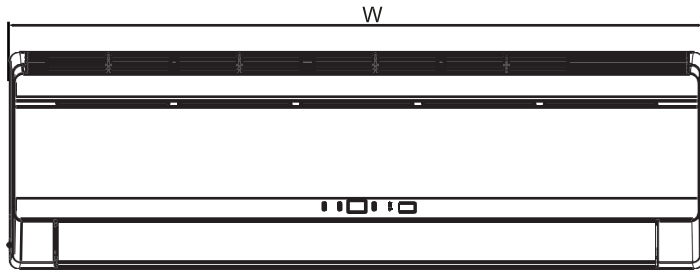
Power Supply	
Normal Operational Voltage	208/230 V, 1 Phase, 60 Hz
Voltage Range	187 - 253 V
Main Power Wire Size	12-2 AWG
Interconnecting Cable Wire Size	14-4 AWG
MCA	13.0 A
MOCP/Breaker Size	20 A

Refrigerant Piping Data	
Gas Pipe Size (OD)	1/2-in
Liquid Pipe Size (OD)	1/4-in
Connection Method	Flared
MAX Refrigerant Pipe Length	82-ft
MIN Refrigerant Pipe Length	10-ft
MAX Refrigerant Pipe Height Difference	33-ft



3. Outline Dimension Diagram

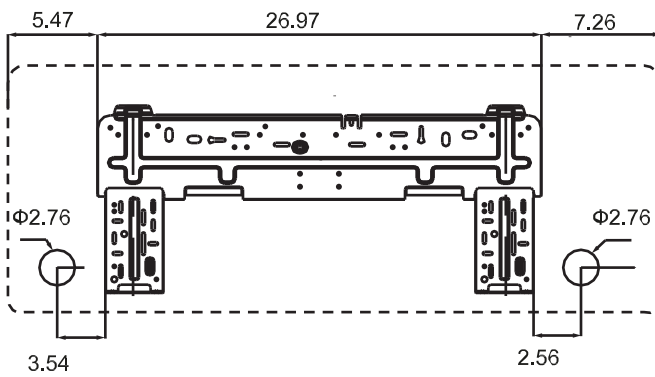
3.1 Indoor Unit



18K Unit

Unit:inch

Model	W	H	D
18K	37.1	11.7	7.9
24K	39.7	12.4	8.6



24K Unit

Liquid Line Valve	1/4-in OD Flared
Gas Line Valve	1/2-in OD Flared
Drain Connector	5/8-in OD

3.2 Outdoor Unit

