

Submittal Data: GWC12MB-D3DNXXK 12,000 BTU/H Wall Mounted AIR CONDITIONNER

Job Name	Location	Date
Purchaser	Engineer	
Submitted To	For <input type="checkbox"/> Reference <input type="checkbox"/> Approval <input type="checkbox"/> Construction	

Unit Designation	Schedule No.
------------------	--------------

GENERAL FEATURES

- Compact and Quiet Design
- High Efficiency DC Inverter Technology
- Wireless Remote with LCD Display
- Comfortable Sleep Mode
- Intelligent Defrost



System Ratings

Cooling	
Rated Capacity	12000 BTU/H
Capacity Range	5300-12500 BTU/H
Power Input (Max)	1,800 W
SEER	15
EER	9.23

Indoor Unit Data

Fan Motor	Output Power	20 W
	FLA	0.4 A
Airflow		
	Cooling Wet (Lo/Hi)	335-218 CFM
	Heating Dry (Lo/Hi)	
Sound Pressure Level		
	Cooling (Lo/Hi)	44-36 db(A)
	Heating (Lo/Hi)	
Dimensions & Weights		
	Unit Dimensions (LxHxD)	33 1/4 x 10 5/16 x 7-in
	Weight (Net/Shipping)	20.9 LBS

--

Outdoor Unit Data

Compressor	DC Inverter Driven Rotary	
Refrigerant Type	R410A	
Fan Motor	Output Power	21 W
	FLA	0.2 A
Sound Pressure		
	Cooling	53 db(A)
	Heating	
Dimensions & Weights		
	Unit Dimensions (LxHxD)	30 3/8 x 13 5/8 x 23 3/8-in
	Weight (Net/Shipping)	65 LBS

--

Operating Range		
Cooling	(Max)	(46 C)
	(Min)	(10 C)
Heating	(Max)	
	(Min)	

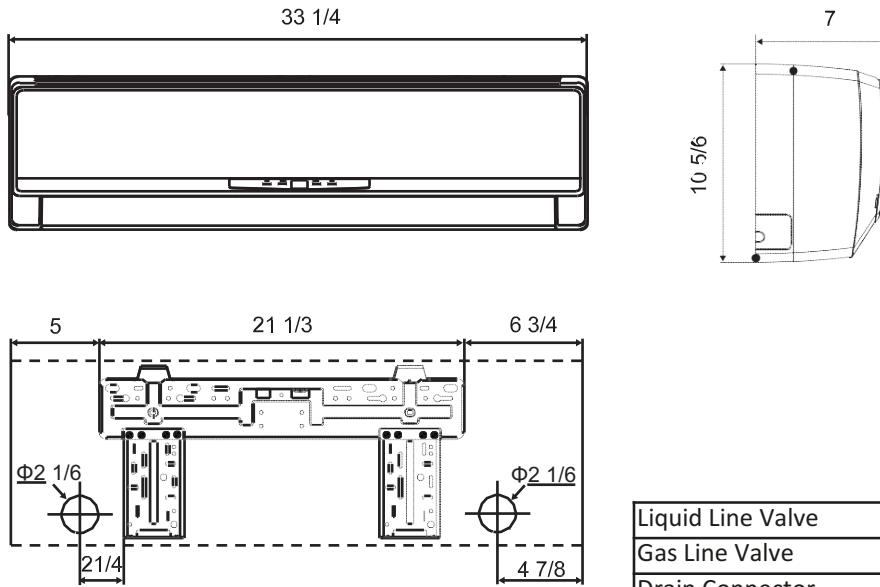
Power Supply	
Normal Operational Voltage	220 V, 1 Phase, 60 Hz
Voltage Range	103-127 V
Main Power Wire Size	14/2 AWG
Interconnecting Cable Wire Size	14-4 AWG
MCA	15 A
MOCP/Breaker Size	20 A

Refrigerant Piping Data	
Gas Pipe Size (OD)	3/8-in
Liquid Pipe Size (OD)	1/4-in
Connection Method	Flared
MAX Refrigerant Pipe Length	50-ft
MIN Refrigerant Pipe Length	10-ft
MAX Refrigerant Pipe Height Difference	33-ft



3. Outline Dimension Diagram

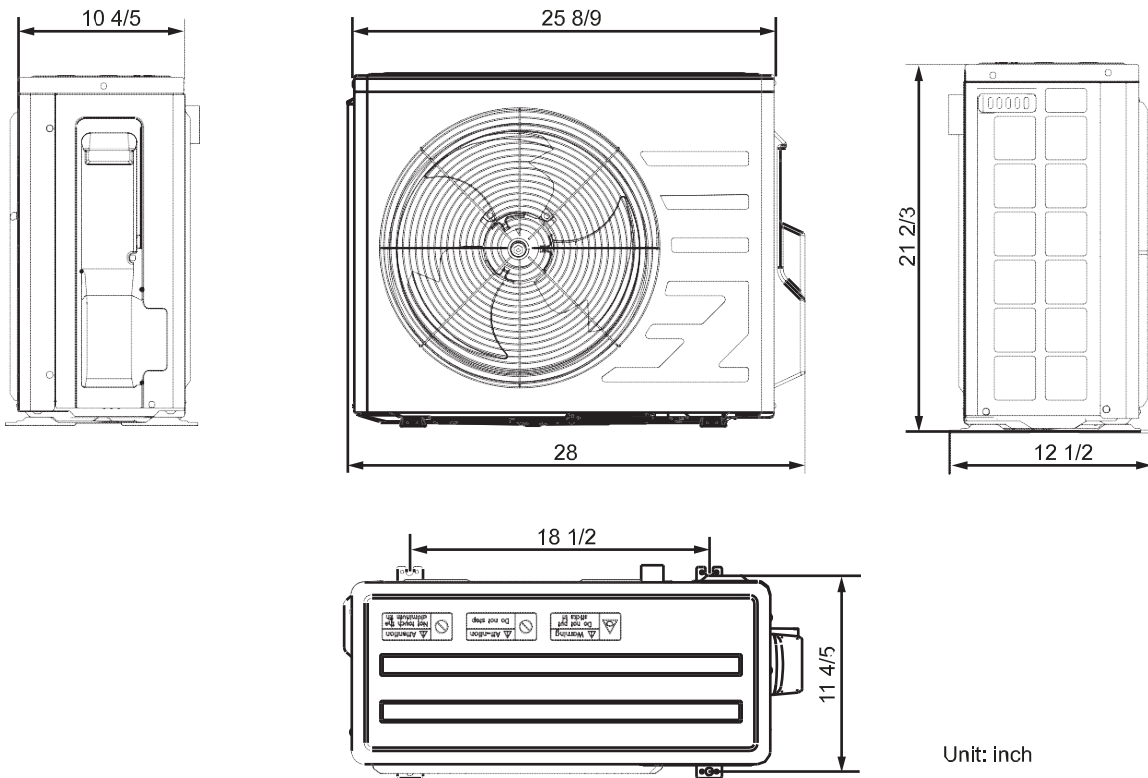
3.1 Indoor Unit



Liquid Line Valve	1/4-in OD Flared
Gas Line Valve	3/8-in OD Flared
Drain Connector	5/8-in OD

Unit: inch

3.2 Outdoor Unit



Unit: inch