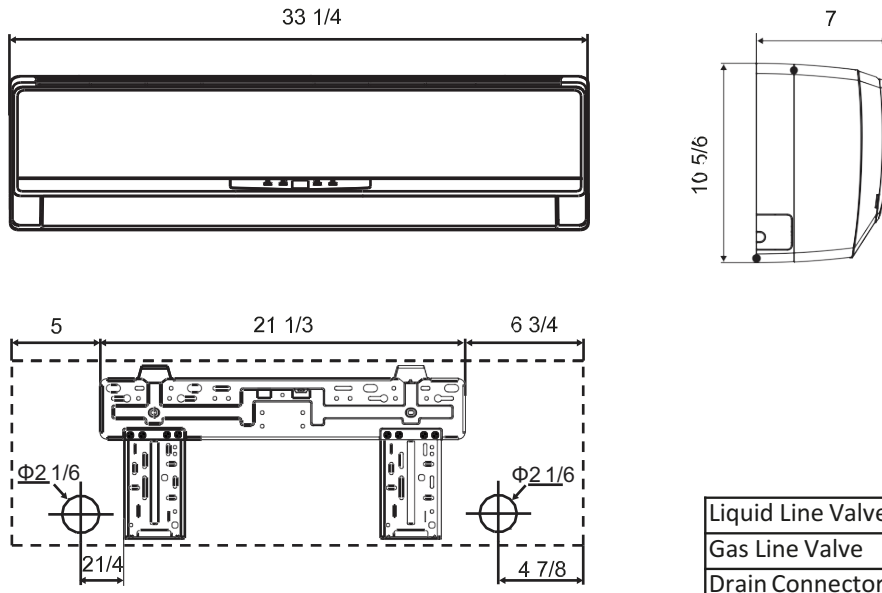


| Submittal Data: GWC09MB-D3DNXXK | | 9,000 BTU/H Wall Mounted AIR CONDITIONNER | |
|---|--|---|--|
| Job Name | Location | Date | |
| Purchaser | Engineer | | |
| Submitted To | For <input type="checkbox"/> Reference <input type="checkbox"/> Approval <input type="checkbox"/> Construction | | |
| Unit Designation | Schedule No. | | |
| GENERAL FEATURES -Compact and Quiet Design -High Efficiency DC Inverter Technology -Wireless Remote with LCDDisplay -Comfortable Sleep Mode -Intelligent Defrost | | | |
| System Ratings | | Indoor Unit Data | |
| Cooling Rated Capacity 9,000 BTU/H Capacity Range 5000-11300 BTU/H Power Input (Max) 1,300 W SEER 15 EER 9.47 | | Fan Motor Output Power 20 W FLA 0.4 A Airflow Cooling Wet (Lo/Hi) 306-218 CFM Heating Dry (Lo/Hi) | |
| | | Sound Pressure Level Cooling (Lo/Hi) 43-34 db(A) Heating (Lo/Hi) | |
| | | Dimensions & Weights Unit Dimensions (LxHxD) 33 1/4 x 10 5/16 x 7-in Weight (Net/Shipping) 19.8 LBS | |
| | | Outdoor Unit Data | |
| | | Compressor DC Inverter Driven Rotary Refrigerant Type R410A Fan Motor Output Power 21 W FLA 0.2 A Sound Pressure Cooling 52 db(A) Heating | |
| Operating Range Cooling (Max) (46 C) (Min) (10 C) Heating (Max) (Min) | | Dimensions & Weights Unit Dimensions (LxHxD) 30 3/8 x 13 5/8 x 23 3/8-in Weight (Net/Shipping) 60.6 LBS | |
| Power Supply Normal Operational Voltage 220 V, 1 Phase, 60 Hz Voltage Range 103-127 V Main Power Wire Size 14/2 AWG Interconnecting Cable Wire Size 14-4 AWG MCA 15 A MOCP/Breaker Size 20 A | | Refrigerant Piping Data Gas Pipe Size (OD) 3/8-in Liquid Pipe Size (OD) 1/4-in Connection Method Flared MAX Refrigerant Pipe Length 50-ft MIN Refrigerant Pipe Length 10-ft MAX Refrigerant Pipe Height Difference 33-ft | |
| | | | |

3. Outline Dimension Diagram

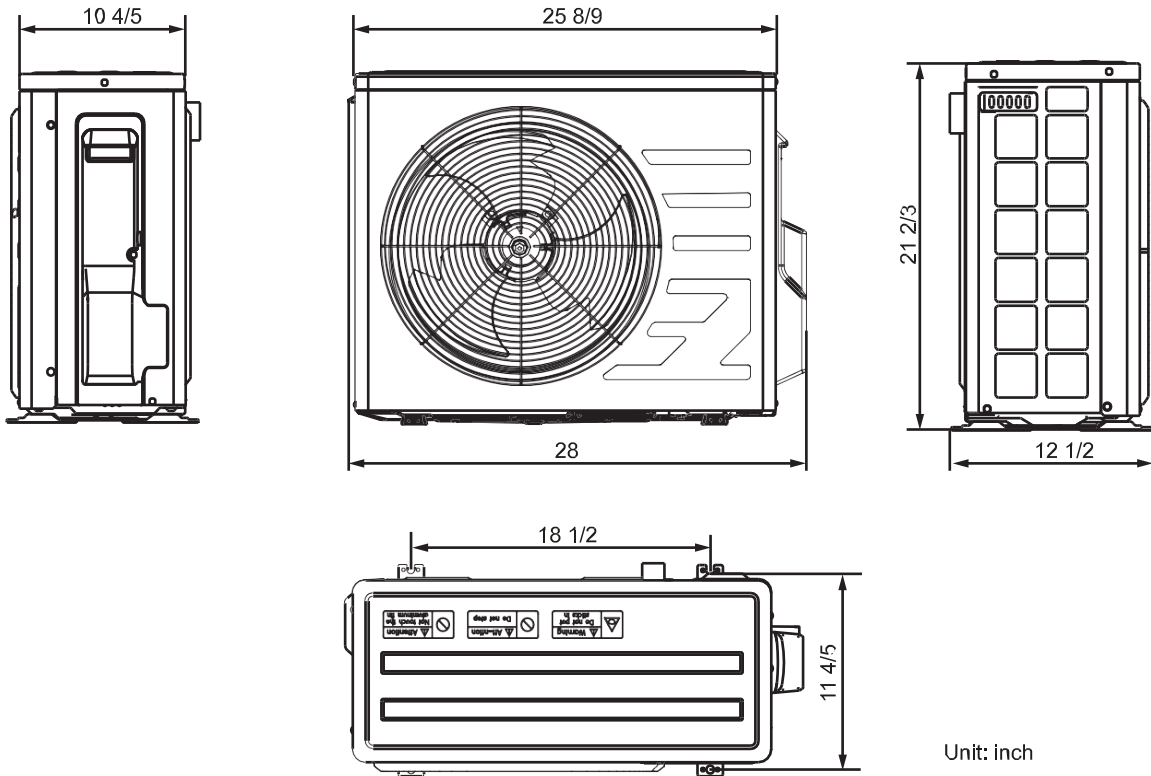
3.1 Indoor Unit



| | |
|-------------------|------------------|
| Liquid Line Valve | 1/4-in OD Flared |
| Gas Line Valve | 3/8-in OD Flared |
| Drain Connector | 5/8-in OD |

Unit: inch

3.2 Outdoor Unit



Unit: inch